

Terminal

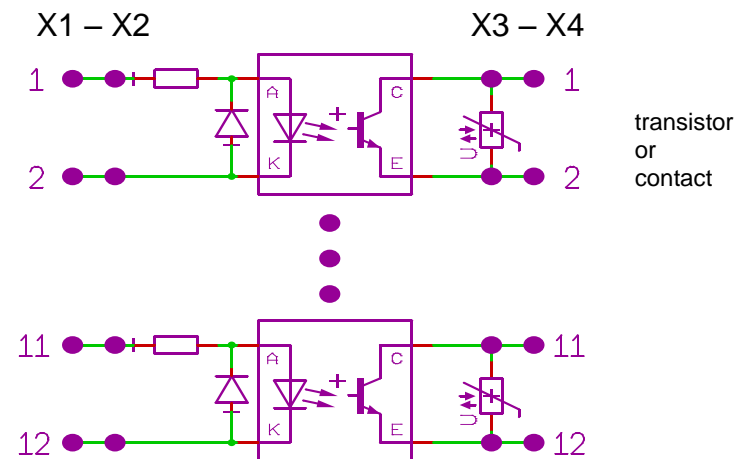
Plug terminal
4x 12pin max. 2,5 qmm

X1.1 – X1.2 Output 1
X1.3 – X1.4 Output 2
X1.5 – X1.6 Output 3
X1.7 – X1.8 Output 4
X1.9 – X1.10 Output 5
X1.11 – X1.12 Output 6
X2 as X1

X3.1 = + Input 1
X3.2 = - Input 1
X3.3 = + Input 2
X3.4 = - Input 2
X3.5 = + Input 3
X3.6 = - Input 3
X3.7 = + Input 4
X3.8 = - Input 4
X3.9 = + Input 5
X3.10 = - input 5
X3.11 = + Input 6
X3.12 = - input 6
X4 as X3

Technical Data

Input 1-6	10-24V DC
Input load resistor	4,7 kOhm (LED resistor)
Output 1-6 (SR-6.OK) Transistor	transistor (poled) max. 40V, max. 40mA
Output 1-6 (SR-6.K) PhotoMosRelais	N.O. contact (unpoled) max. 100 Hz max. 60V AC/DC, max. 1A
Operating/storagetemp.	-10 - +50°C / -30 - +80°C
Construction	PCB, TS35, EN50022
Weight	220g
Dimensions (BxHxT)	71 x 101 x 48 mm



Input and output data to custom order.

RINCK ELECTRONIC GMBH

Kleekamp 6
D-27356 Rotenburg (Wümme)
www.rinck-electronic.de
info@rinck-electronic.de

S 107

SB-6OK

23.03.15

COUPLE UNIT DIGITAL SB-6.OK / SR-6.K

transistor output / electronic relays to order

Input

6x optocoupler / Photo Mos Relais

Output

6x transistor / N.O. contact

Application

digital signal isolation, signal douplication